

AVM583A

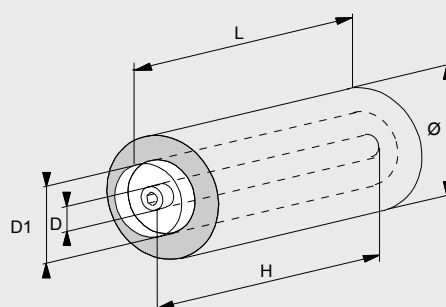
Automatic Winding Machine for Metallized Film Capacitors



MAIN FEATURES

- Winding machine for medium to big size power capacitors, 1 or 2 elements/cycle, stiff core, protection film.
- Film stagger at the beginning and at the end of winding to avoid the risk of short circuit, or possibility to operate 1 burn-off assembly.
- Automatic control of winding parameters.
- Very quick exchange of rolls with auto-positioning.
- Motorized wrapping film reels and automatic tensioning.
- Automatic film positioning control and edge alignment.
- Soft winding.

PRODUCT



GENERAL INFORMATION

L	37.5	to	75	mm (double winding)
	75	to	130	mm (single winding)
Ø	20	to	105	mm
D	9	to	21	mm
H	≤	80	mm (double winding)	
	≤	130	mm (single winding)	